

Operating manual

Mobile Man Anchor IM-200
Reference No. IM 200

EN 795:1996 class E

CE 0194

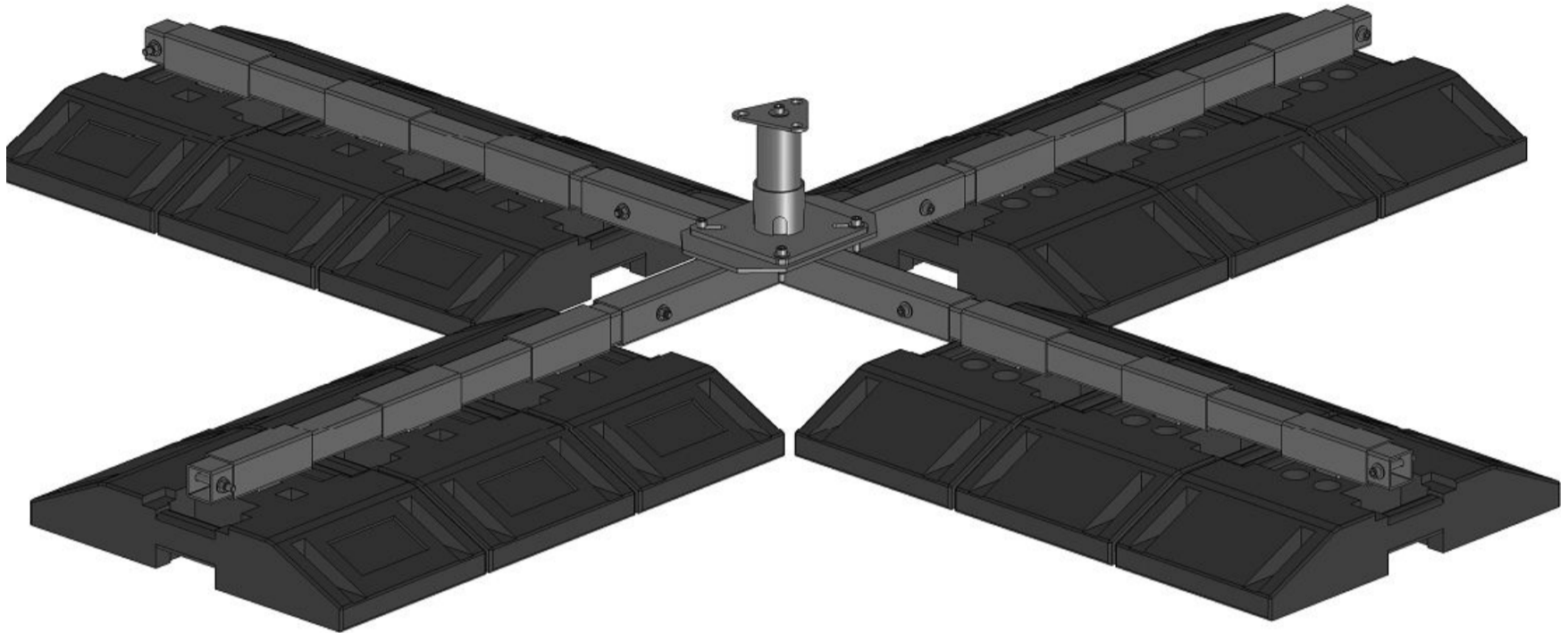


Table of contents:

1.	Description of the Mobile Man Anchor	2
2.	Construction of the Mobile Man Anchor	3
3.	Technical data of the Mobile Man Anchor	3
4.	Installation (mounting) of the Mobile Man Anchor	4
5.	Description of the labelling of the Mobile Man Anchor	4
6.	Main rules for using the Mobile Man Anchor	5
7.	Operating Sheet of the Mobile Man Anchor	6

1. Description of the Mobile Man Anchor

The Mobile Man Anchor IM 200 was designed as a portable, collapsible anchorage point compliant with the EN 795 standard class E. This device helps protect employees working at heights, such as at the edge of a flat roof.

The Mobile Man Anchor allows you to quickly set up a safe and secure anchoring point for personal protective equipment for arresting falls from a height. After the completion of the planned works the Mobile Man Anchor can be disassembled and transferred to another location, or stored until its next use.

The modular design of the device allows it to be mounted and dismantled without the use of cranes, hoists, or any special equipment.

The weight of the individual components was chosen to make it compliant with the regulations (the weight of an individual item must not exceed 28 kg) and can be moved by man power.

The elements of the Mobile Man Anchor IM 200 are made of both rubber and steel. All steel components are made of stainless steel or are protected against adverse weather conditions using hot galvanising, which ensures their durability up to 50 years.

The Mobile Man Anchor IM 200 can be used on the following types of surface:

- roofing paper
- PVC membrane
- Concrete

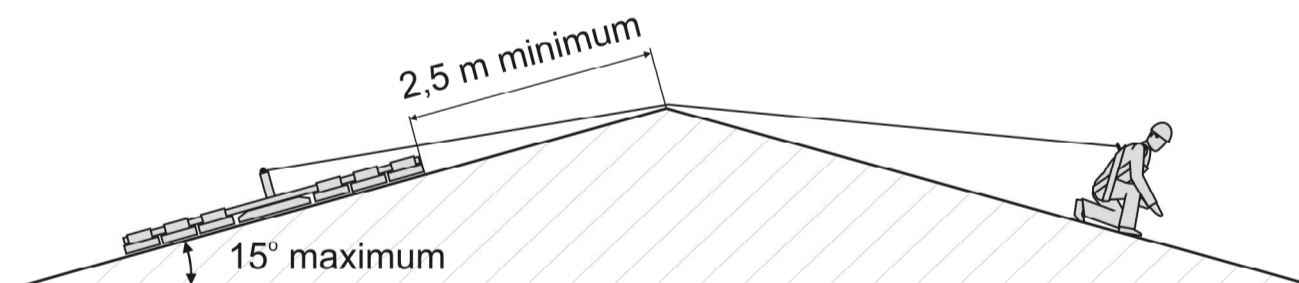
with inclination angle not exceeding 5° .

Adequately large surface area taken up by the device can optimally distribute the load over the surface (e.g. a roof) to minimize the impact of the load on the structure.

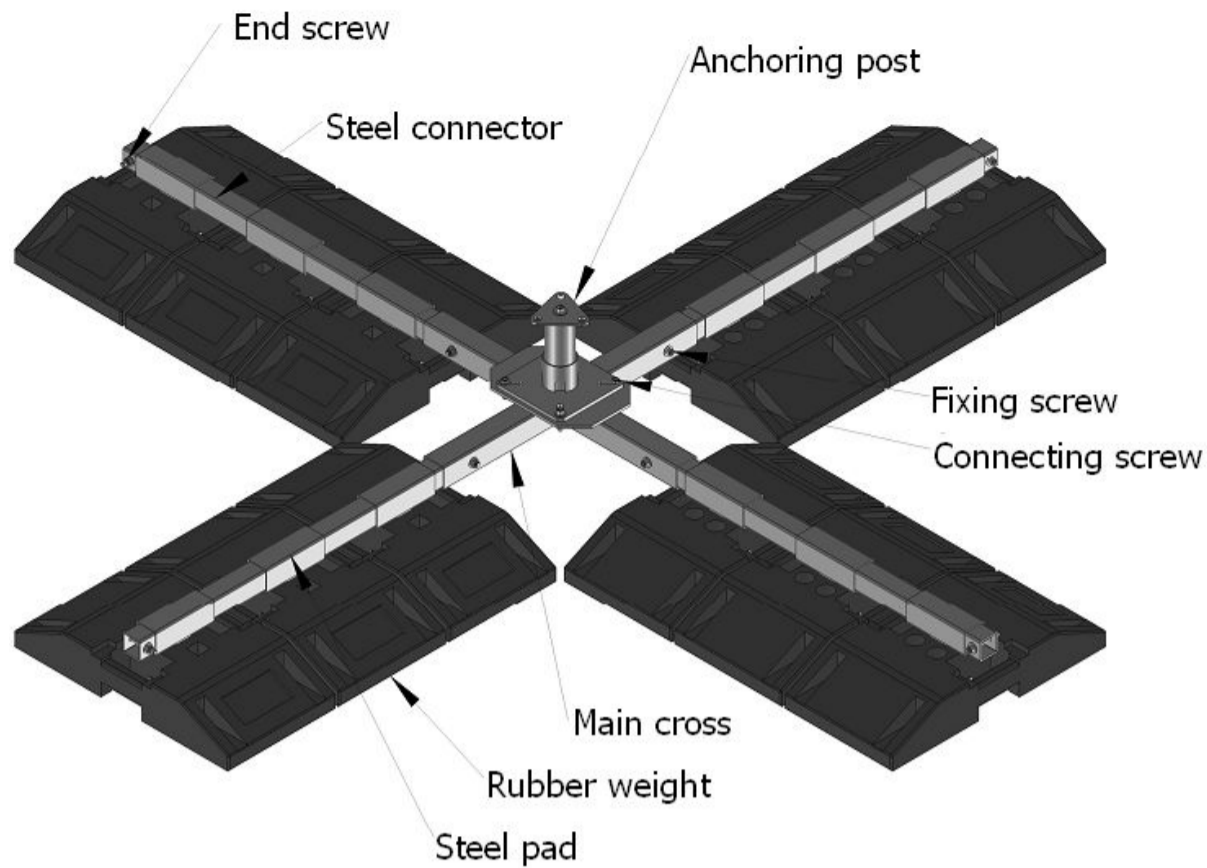
The Mobile Man Anchor shall not be used where there is a risk of frost, or in freezing conditions.

Remove any loose materials (e.g. loose stones) from the surface of the roof covering where the Mobile Man Anchor will be installed. Do not use on icy, greasy or any slippery surfaces that may impair the Mobile Man Anchor's performance. The IM200 should be positioned to avoid areas where water accumulates.

When used on steel cladded roofs up to 15° pitch always place the Mobile Man Anchor on the opposite pitch to the one you are working on. Always position the Mobile Man Anchor a minimum of 2.5m from the ridge on the opposite pitch. When working on the verge detail remember to position the Mobile Man Anchor at least 2.5m from the verge and only work opposite the Mobile Man Anchor order to avoid the pendulum effect down the facade of the building.



2. Construction of the Mobile Man Anchor.



- **Anchoring post** – 1 piece, allows the connection of the individual equipment to the Mobile Man Anchor:

- a. harness compliant with EN 361
- b. connecting-absorbing component in the form:
 - Safety lanyard with a shock absorber compliant with EN 354/355
 - Self-locking device compliant with EN 353-2
 - Cable retractor compliant with EN 360
 - Connectors (snap hooks) compliant with EN 362

- **Rubber weight** – 12 pieces, single weight (1 of 12), permanently connected to the **steel pad**, positioned on the base.

- **Steel pad** – 12 pieces, pad made of hot galvanized steel. It makes it possible to attach rubber weights together.

- **Main cross** – 1 piece, steel cross, hot galvanized, which is a base for the **anchoring post** (permanently fixed by screws), it is also a base for connecting (using a **steel connector**) with **rubber weights**.

- **Steel connector** – 4 pieces, used for connecting **rubber weights** with the **main cross**, made of hot galvanized steel.

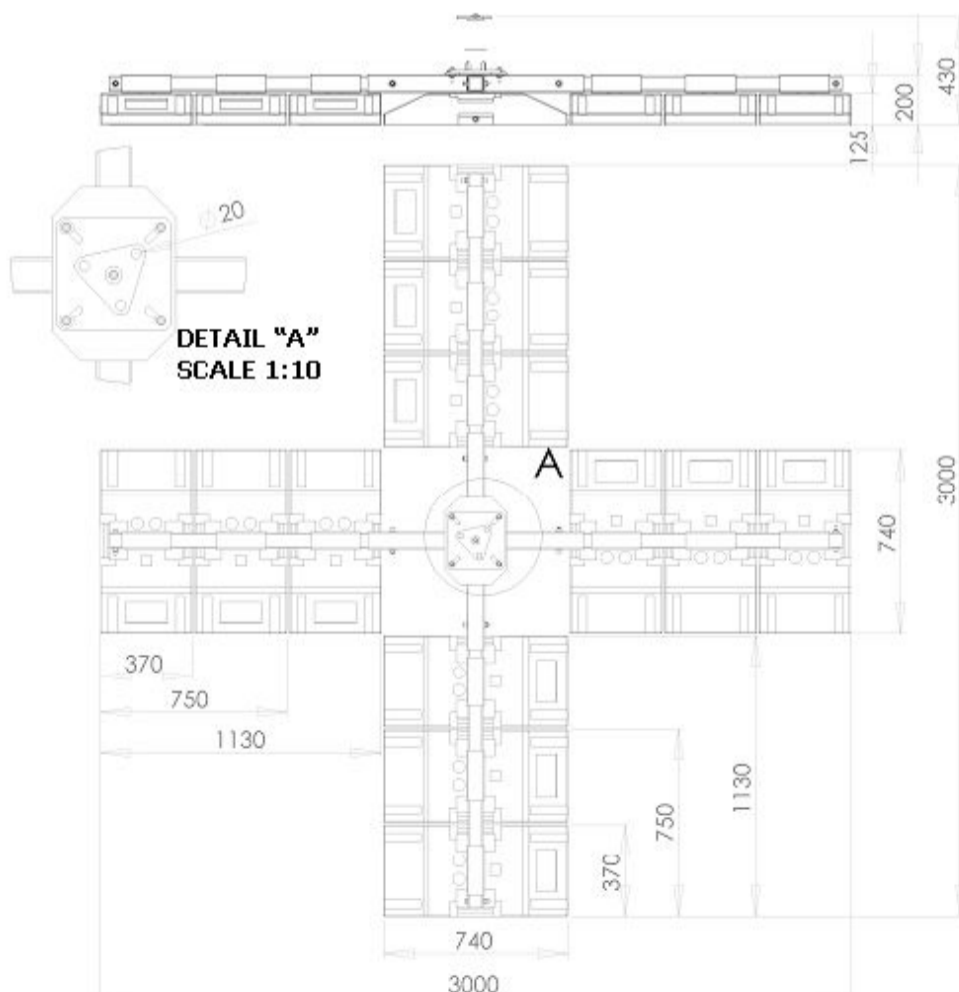
- **End screw** – 4 pieces, a screw that protects rubber weights from sliding off the steel connector.

- **Fixing screw** - 4 pieces, a screw that links the **main cross** with **steel connectors**.

- **Connecting screw** - 4 pieces, a screw that links the **main cross** with the **anchoring post**.

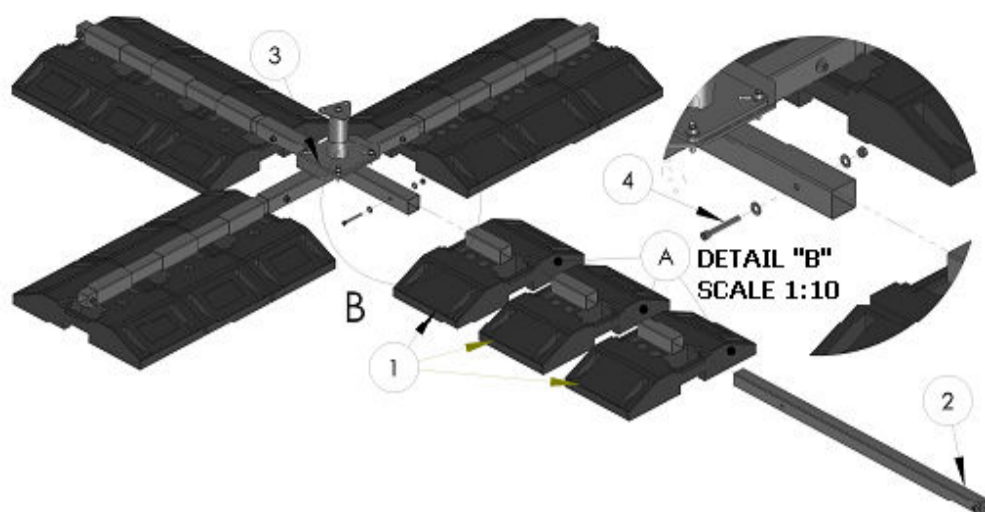
3. Technical data of the Mobile Man Anchor

- **measurements** – according to the drawing below



- **maximum number of people working simultaneously** - 2 people
- **total weight**- 374 kg +/- 2 kg
- **main structure** – hot galvanized steel
- **main weights** – rubber (rubber mixture resistant to UV rays)
- **connecting elements** – hot galvanized steel

4. Installation (mounting) of the Mobile Man Anchor



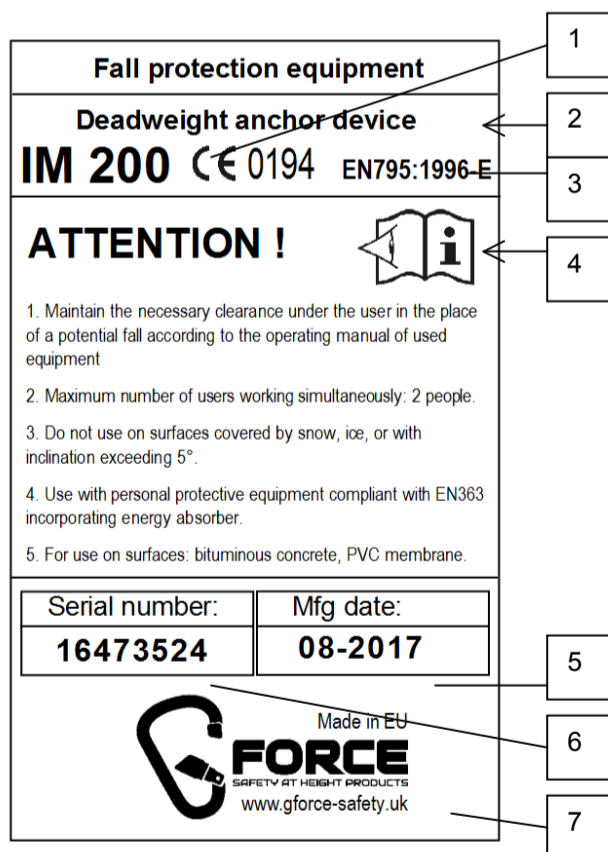
Prior to working with the Mobile Man Anchor 200 IM make sure that it is not damaged or unfit for use. To do this, perform a general visual inspection of the device.

In case of any doubts about the technical condition of the platform do not use it work at work!

To properly prepare the Mobile Man Anchor IM 200 for operation, follow the recommendations described below in the following sequence:

1. For installation you will need a #10 mm Allen key (1 pc) and a #19 mm wrench (1 pc).
2. Select an appropriate location for the Mobile Man Anchor 200 IM, so that the user's range of movements (resulting from the applied connecting and absorbing unit) covers the working area. Bear in mind that the deviation from the level surface cannot exceed 5°.
3. Position the rubber weights (1) in line, so that their surfaces (A) contact.
4. Push steel pads of the rubber weights (1) through using a steel connector (2).
5. Slide the main cross (3) over the steel connector (2) and lock its position by twisting the fixing screw (4) using mounting holes made in the steel connector (2). The end screw mounted permanently in the steel connector (2) is designed to prevent the mounting of the steel connector (2) in the wrong position.
6. Position another group of rubber weights (1) so their surfaces (A) contact and their steel pads make it possible to connect them using the steel connector (2) with the main cross (3).
7. Tighten the remaining fixing screws (4).
8. Check that all screws, including fixing screws (4), are tightened.
9. Check that the rotary plate on the anchoring post rotates.
10. Visually check the presence of all elements of the Mobile Man Anchor IM 200 and their technical condition.
11. Dismantling of the unit should be carried out in reverse order, follow points 6, 5, 4, 3, 2.
12. When dismantling, unscrew the fixing screws (4). Keep the remaining screws tightened.
13. The individual elements of the Mobile Man Anchor 200 IM must be transferred individually.
14. After dismantling the device should be stored in a cool, dry place.

5. Description of the labelling of the Mobile Man Anchor



1. Reference number of the device
2. European standard number, year and class to which the device conformed
3. CE sign and the number of notified body controlling manufacturing the device
4. Month and year of manufacture
5. Serial number
6. Attention: read the instructions
7. Designation of the manufacturer or distributor of the device

6. Main rules for using of the Mobile Man Anchor IM 200

1. The Mobile Man Anchor IM 200 is designed for attaching an personal protective equipment for arresting falls from height.
2. Every user of the Mobile Man Anchor should be familiar with this operating manual. The use of the device contrary to the manual poses a threat to life. This manual should always be available for inspection. Only persons trained in the use of the fall arrest equipment can operate the device.
3. The Mobile Man Anchor IM 200 cannot be used by people whose health condition may affect the safety during normal use and during rescue operations. Prepare a rescue plan, which will be used if necessary.
4. The Mobile Man Anchor can only be used to arrest falls from heights, in accordance with the instructions set out in this manual. In particular, the system cannot be used at work in suspension.
5. Before use ensure about the compatibility of items of equipment assembled into a fall arrest system. It is forbidden to use combinations of items of equipment in which the safe function of any one item is affected by or interferes with the safe function of another.
6. The Operating Sheet is an integral part of this manual. It is used for recording periodic inspections and repairs. The card should be completed and kept with this manual and shall be submitted to the manufacturer or a service technician authorized by the manufacturer at every request. An institution, which utilizes the device is responsible for updating the records in the Operating Sheet. The institution should require that the technicians servicing or repairing the system make the relevant entries in the Operating Sheet.
7. Follow the operating manual of the equipment used along with the Mobile Man Anchor, as referred to in this manual. In addition, follow all general occupational health and safety rules, particularly those, which apply to working at height.
8. After each 12 months of use the IM 200 must be withdrawn from use to carry out periodic inspection. If there are some factors which influence on condition of the device like hard conditions of use, or very often use of the device periodic inspection should be carried out more often. The periodic inspection must be carried out by a qualified person responsible for safety equipment in user's company in accordance with the manufacturer's periodic examination procedures. The periodic inspection can be also carried out by or the manufacturer or his certified representative.
9. The Mobile Man Anchor can be used for 5 years. After 5 years of use the IM 200 must be a subject to detailed manufacturer's inspection. The inspection can be carried out by the device manufacturer or his certified representative only.
10. During this inspection will be established admissible time of the beam clamp use till next manufacturer's inspection.
11. The results of inspections must be recorded in the operational sheet.
12. Before each use, check that the date of the next technical inspection of the system has not expired. After that date, the system cannot be used. Before and after each use, visually check the completeness and the correct technical condition of the device. In case of any defects or shortcomings in the system do not use it. In order to resolve doubts, please contact the manufacturer's or authorized manufacturer's service department.
13. Periodic inspection details:
 - Ensure the system has not been modified/tampered with by unauthorised persons.
 - Check the legibility of the product markings
 - Visually inspect the complete system installation.
 - Check all components for distortion or dents. Ensure that this does not affect the fitting of the weight or steel connector.
 - Check metal plate for distortion or cracks.
 - Look for signs of cracks in metal.
 - Check all the bolts and nuts. Ensure that they are properly tighten.
 - Check for any general corrosion.
 - Check the weights for distortion, cracks or any mechanical damage. Check fixing of steel pad of the weight.
14. It is essential for safety that the Mobile Man Anchor IM 200 should be withdrawn from use immediately if any doubt arise about its conditions for safe use or it have been used to arrest to fall. The device should not be used again until confirmed in writing by a competent person that it is acceptable to do so .
15. Modifying, repairing by unauthorised person or replacing the original components of the system with other parts is forbidden.
16. The IM 200 can be used as a fall arrest system with retractable type fall arresters (EN360), energy absorbers with lanyards (EN355) and guided type fall arresters (EN353-2) G-Force branded.
17. Users intend to combine the IM 200 with retractable type fall arresters or energy absorbing lanyards coming from a different manufacturer must check all potential dangers because these devices haven't been tested together as a complete fall arrest system.
18. Combining any fall arrest personal protective equipment (PPE) with the IM200 requires from a user checking all requirements and guidances coming from fall arrest PPE manufacturer.
19. It is mandatory to check the clearance under the work place, if there is a risk of a fall, to avoid hitting objects or a surface located below, before the protective equipment to arrests the fall.
20. While using the Mobile Man Anchor IM 200 pay special attention to the dangerous phenomena affecting the operation of protective equipment or safety of the user, in particular: looping and shifting of lanyards on sharp edges, pendular falls, electricity, extreme temperatures, damaging the equipment, adverse weather conditions, chemicals, pollution.
21. This device can not be used in an explosive environment.
22. The device must be transported in the package (e.g.: bag made of moisture-proof textile or cases made of steel or plastic) to protect it against damage or moisture.
23. The device must be cleaned and disinfected in order to avoid damaging the material (raw material) it is made of. It can be cleaned manually. Plastic and rubber elements can only be cleaned with water. Equipment which becomes wet during cleaning or while in operation must be carefully dried in natural conditions, away from heat sources. Metal parts and mechanisms (springs, hinges, catches etc.) can be periodically greased in order to improve their operation.
24. The device should be stored in loose packaging in well-ventilated dry rooms and protected against the impact of light, UV radiation, dust, sharp objects, extreme temperatures and caustic substances.
25. It is essential for the safety of the user that if the product is re-sold outside the original country of destination the reseller shall provide user's instructions in the language of the country in which the product is to be used.

O P E R A T I N G S H E E T

Device name	Mobile Man Anchor			Type	IM 200
Serial number		Date of manufacture		Purchase date	
Date first put into use		User's name			

I N S P E C T I O N A N D R E P A I R R E C O R D S H E E T

	Date	Reason for inspection or repair	Identified damage, repair, etc.	Next due date of periodic inspection	Inspector's name and signature
1					
2					
3					
4					
5					
6					
7					
8					
9					
10					
11					
12					

SafetyLiftinGear.com
 Unit R1D Rockingham Gate
 Poplar Way West Cabot Park Bristol BS11 0YW
 Tel: 0808 123 69 69 Fax: 0117 9381 602 sales@safetyliftinggear.com